

CRISTAL PROFI®

JBL

greenline

QUICK GUIDE

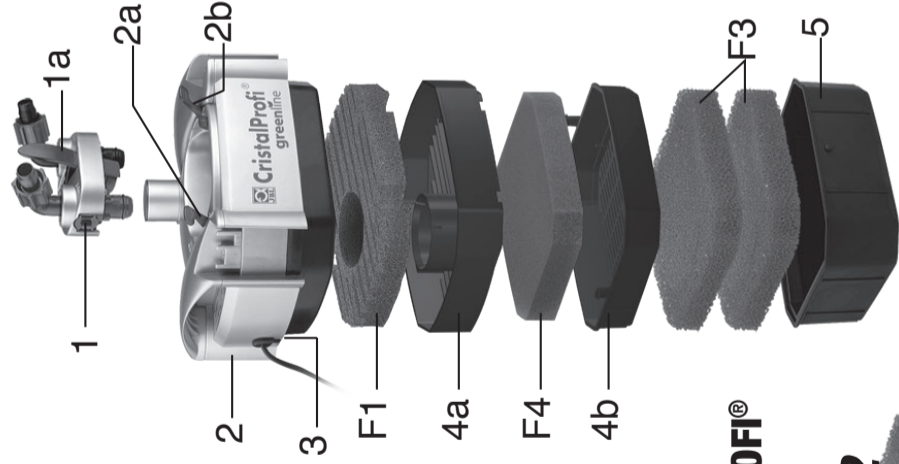
e 402 e 1502
e 702 e 1902
e 902



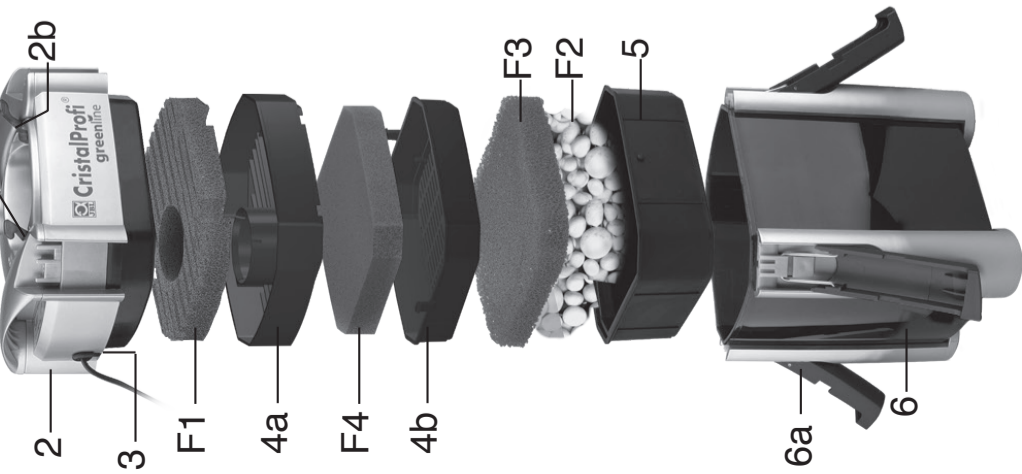
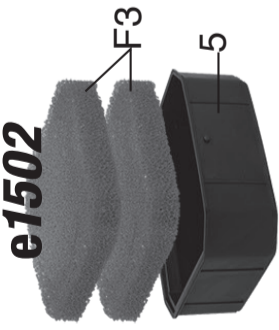
13 60280 00 1 V03



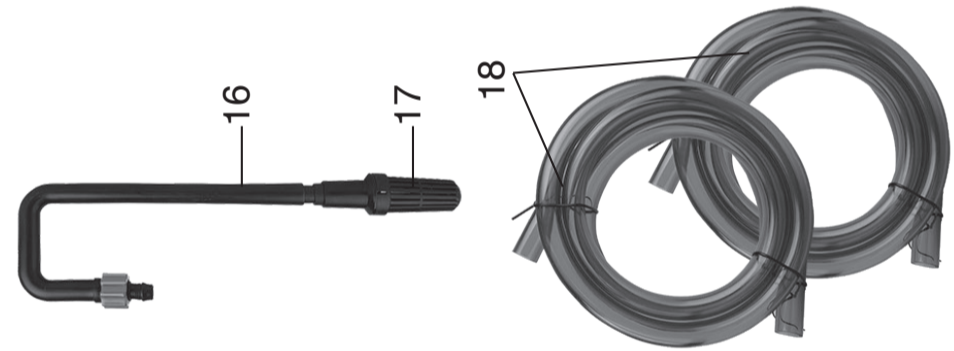
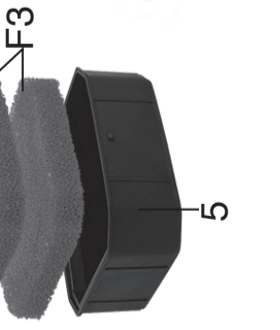
CRISTALPROFI®
e702



CRISTALPROFI®
e902



CRISTALPROFI®
e1902



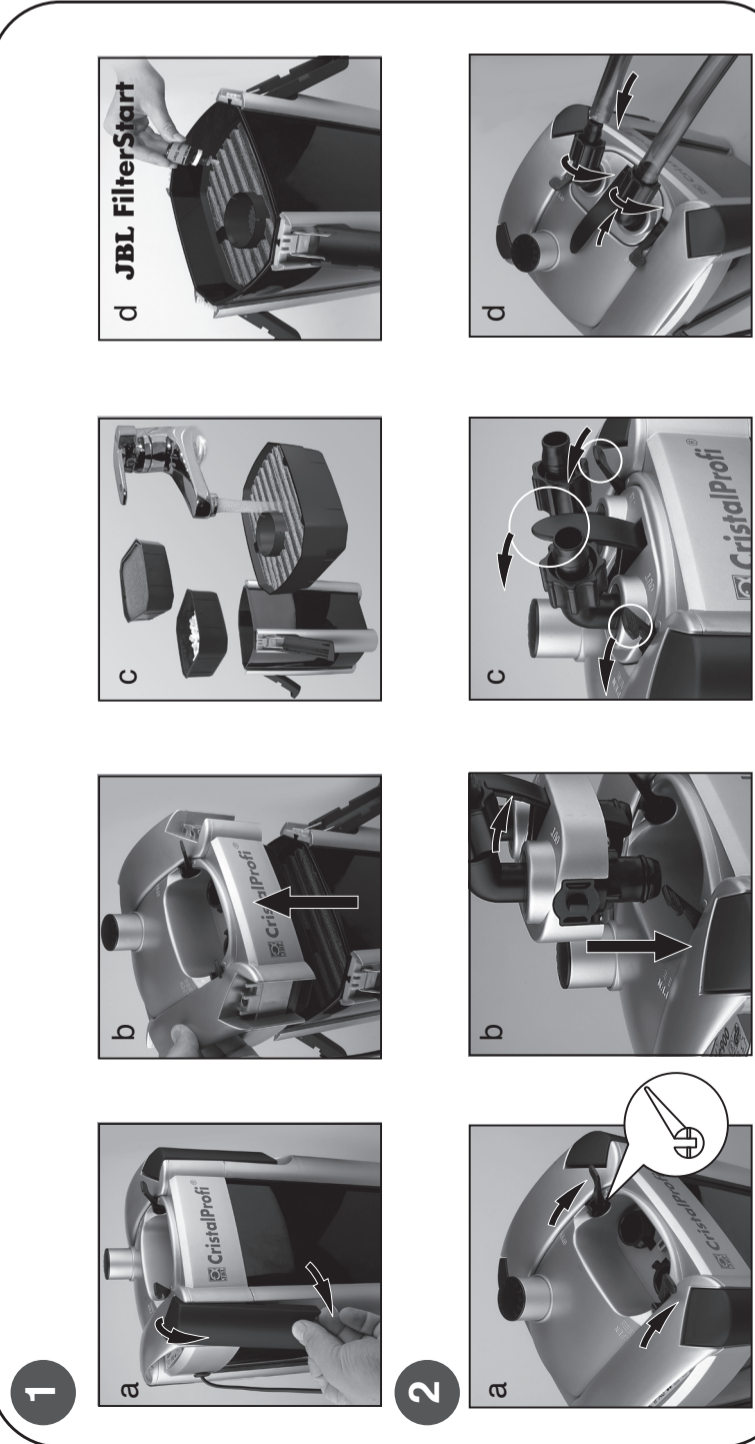
www.jbl.de



DE GB NL IT ES CL TR
FR SE PL RU RO GR CN



INSTALLATION



SERVICE

